

# DS-637EN

EN54-24 Certified

Wall Mounted Speaker



DS637EN is wall mounted EN54-24 certified speaker that is used in Public Address and Voice Alarm System EnormPA. DS637EN is designed to be a solution for paging, evacuation and background music in closed spaces such as schools, factories and buildings.

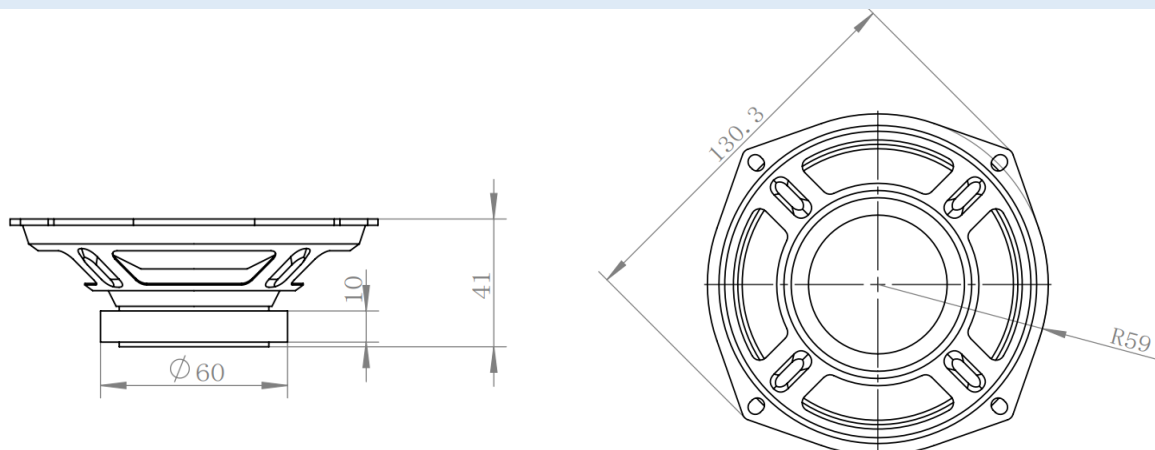
It is equipped with 5" built in full range speaker, a 100V multi tap transformer, a ceramic speaker line connector and a thermal fuse. It can be mounted on a ceiling or wall easily by a screw, horizontally or vertically as desired. Outside is made of fireproof ABS plastic and front grill is made of steel. Color options are white, gray and black.

The 100V speaker is equipped with a high quality multi tap 2.5 – 5 watts 100V transformer.

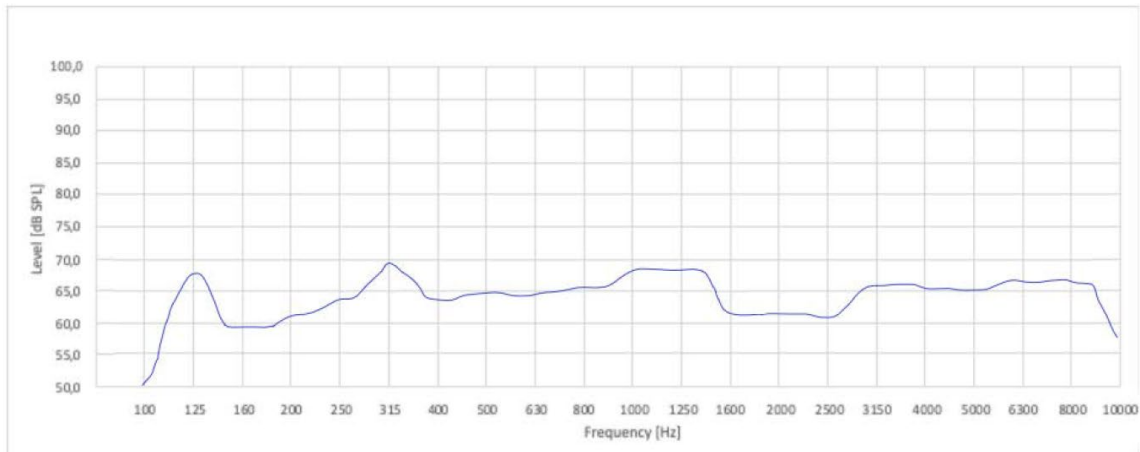
## Technical Specifications

|                                    |                                     |                 |
|------------------------------------|-------------------------------------|-----------------|
| Rated Power: 6W (100V)             | Loudspeaker System: Full Range      |                 |
| Transformer Power Taps: 2.5 – 5W   | Measurement Environment: free-field |                 |
| Impedance: 2.5W-6.1 kΩ / 5W-3.9 kΩ | Main Material: ABS Plastic & Steel  |                 |
| Sensitivity: 77 dB                 | Measurements: 300 x 198 x 85 mm     |                 |
| Frequency Response: 90 Hz – 16 kHz | Color: Black, White                 |                 |
| 100V Application: Yes              | Weight: 950 gr (1pcs.)              |                 |
| SPL 1W/1M Peak: 85 dB / W±2dB      | Enclosure: EN60529 IP44 Type A      |                 |
| SPL 1W/4M Peak: 79 dB / W±2dB      | ABS Plastic Enclosure               | IEC 60695-11-10 |
| SPL Rated Noise Power/4M: 83 dB    |                                     | UL94            |

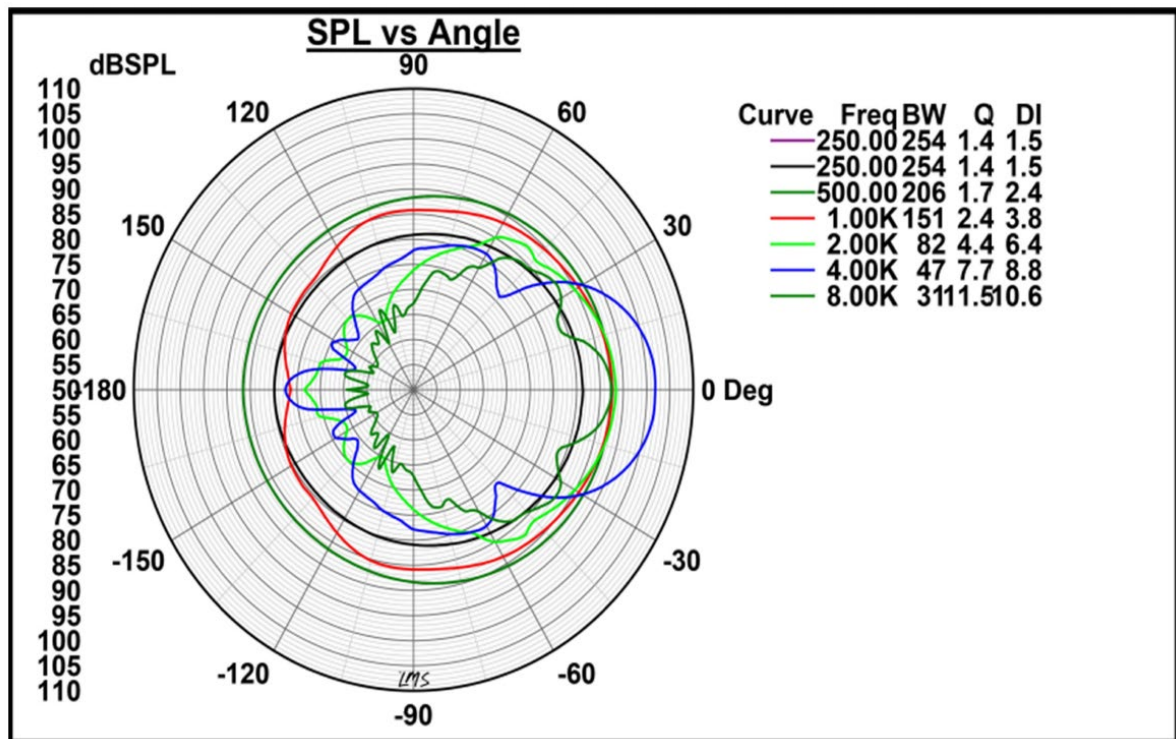
## Speaker Dimensions



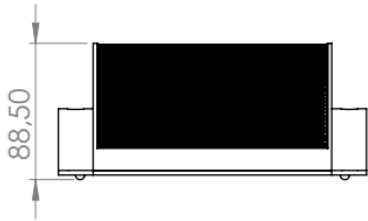
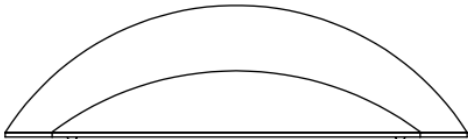
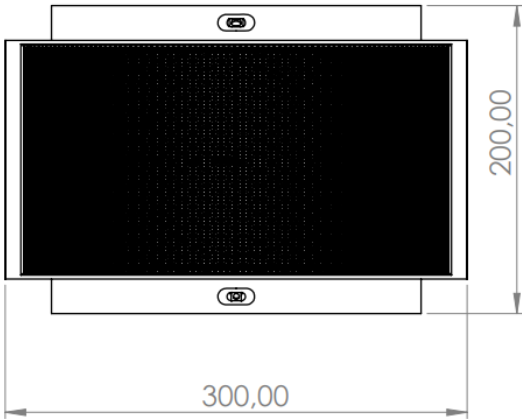
### Frequency Response 1W/4M



### Polar Plot



**Dimensions**



## Installation Instructions

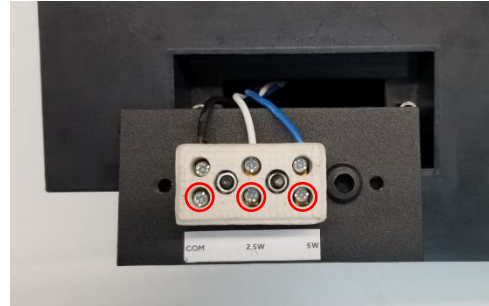
Speaker DS637EN is suitable for wall mount installation. When placing the device, the ventilation gaps should not be blocked and the device should be screwed from the 2 edges to the wall. Please make sure that there is enough space around the device. DS637EN can be mounted to the wall horizontally or vertically.

1



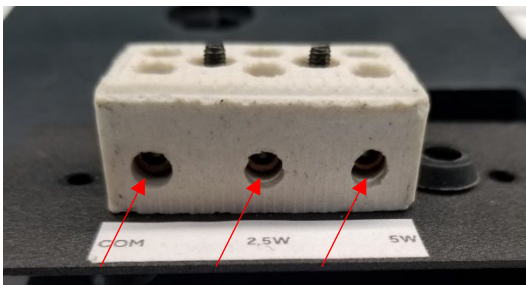
Open the small lid, behind of the speaker, by unscrewing the two marked places in the above figure.

2



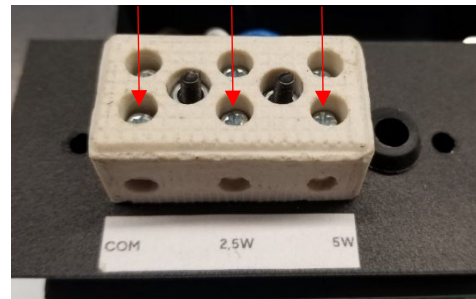
Loosen the screws seen in the above figure which are going to be used for the application. For 2.5W, use COM and 2.5W; for 5W, use COM and 5W.

3



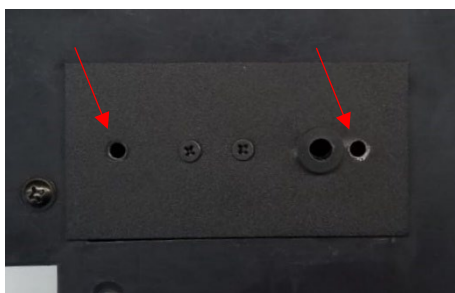
Enter the cables to marked places, seen in the above figure, according to your configuration.

4



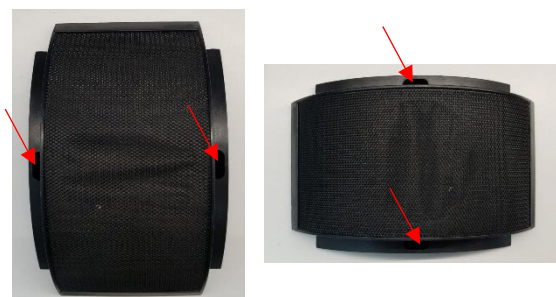
Tighten the screws, marked places in the above figure, to fix everything in place.

5



Screw the lid back to the speaker from the marked places in the above figure.

6



Mount the speaker from the edges, marked in the above figures, horizontally or vertically with a screw.